



HONORWOOD

DECKING INSTALLATION



www.honorwooddecking.com.au

IMPORTANT

Please read these decking installation instructions carefully before starting the installation.

Note: The installation charts and instructions, described in this guide, are for installation reference only. Any use of Honorwood products or materials must comply with relevant local laws and regulations, as well as all building regulations. Users are responsible for the risks and responsibilities associated with installing them.

INSTALLATION TOOLS

Standard woodworking tools, such as electric saws (desktop and portable), impact drills, hand drills, etc. Our company usually uses diamond blade saws.

INSTALLATION PROTECTION

Operators should be aware of the safety requirements, only use safe and certified construction equipment, wear the correct protective equipment, such as gloves, dust masks, etc.

USE OF THE PRODUCTS IN STRUCTURES

Honorwood products cannot be used in place of beams, columns or other load bearing structures. They must be combined with the correct materials for use in any load-bearing structures.

CONSTRUCTION AND INSTALLATION DRAWINGS

Before fitting Honorwood products, accurate drawings should be drawn up, according to the site plans, so as to ensure the matching and dimensional accuracy of the supplied products, while reducing unnecessary wastage of materials and reducing the downtime of the construction manpower.

CONSTRUCTION FOUNDATIONS

The ground should be firm, clean, flat and drained so that it is hardened. The foundation needs to have sufficient drainage (based on local rainfall levels): 1. Drainage channel. 2. Drainage tank. 3. Check the slope (parallel to the joist direction). Make sure the foundation drainage is good, and that the height of any standing water is not less than 80mm from the bottom of the floor. Avoid water absorption, as expansion and cracking of the unwrapped protective layer of these Honorwood products may occur if they become wet for long periods.

PRODUCT STORAGE REQUIREMENTS

The Honorwood products must be stacked on flat and level, hardened ground, and should avoid direct contact with the ground. Do not store in areas that are permanently wet or moist, in order to reduce deformation or other damage to the products.

PRODUCT ADAPTATION TO ENVIRONMENT

Before installation and construction, Honorwood products need to be stored in the local environment for 48 hours to stabilize the product after any heat expansion or cold contraction. High temperature differences can affect the accuracy of the installation.

JOIST CENTER SPACING

The direction of the joists is perpendicular to the pavement flooring. If there is a slope, the center distance of joist in the direction of the floor length should be taken as the criterion.

JOIST MAXIMUM CENTRAL SPACING TABLE

| Model | Section size (mm) | Domestic deck (cm) | Commercial deck (cm) |
|-----------|-------------------|--------------------|----------------------|
| HLHC-003B | 142*22 | ≤35 | ≤30 |
| HLHC-010B | 133*24 | ≤35 | ≤30 |
| HLHC-013B | 145*38 | ≤40 | ≤35 |
| HLSC-002B | 143*21.5 | ≤40 | ≤35 |
| HLSC-010B | 133*24 | ≤40 | ≤35 |
| HLSC-014B | 144*22 | ≤40 | ≤35 |

Note: If more than one floor board is fitted longitudinally on the floor, double joists must be used at the joints of the floor boards. The distance between the joists should not be less than 20 mm (to avoid water accumulation here), and the distance between the joists should not be more than 20 mm.

RESERVED EXPANSION JOINT

When installing Honorwood products, it is necessary to consider the effect of temperature on the expansion and contraction of the material. The materials must have corresponding free expansion

space so as to avoid distortion or warping. The size of the reserved expansion joint is related to the length of the material installation and the local material surface temperature at the time of installation.

Surface temperature of wood-plastic materials and thermal linear expansion coefficient of materials, i.e. length gap guiding parameters (mm) table:

RESERVED EXPANSION JOINT TABLE

| Length of Materials (m) | Temperature/°C of the surface of the material during installation (if the ambient temperature is used, the temperature of the sheet is between -10 and 60 °C) | | | | | | | | | | | | | | |
|-------------------------|---|------|------|------|------|------|------|------|-----|-----|-----|-----|-----|-----|-----|
| | -10 | -5 | 0 | 5 | 10 | 15 | 20 | 25 | 30 | 35 | 40 | 45 | 50 | 55 | 60 |
| 0.5 | 1.8 | 1.6 | 1.5 | 1.4 | 1.3 | 1.1 | 1.0 | 0.9 | 0.8 | 0.6 | 0.5 | 0.4 | 0.3 | 0.1 | 0.0 |
| 1 | 3.5 | 3.3 | 3.0 | 2.8 | 2.5 | 2.3 | 2.0 | 1.8 | 1.5 | 1.3 | 1.0 | 0.8 | 0.5 | 0.3 | 0.0 |
| 1.5 | 5.3 | 4.9 | 4.5 | 4.1 | 3.8 | 3.4 | 3.0 | 2.6 | 2.3 | 1.9 | 1.5 | 1.1 | 0.8 | 0.4 | 0.0 |
| 2 | 7.0 | 6.5 | 6.0 | 5.5 | 5.0 | 4.5 | 4.0 | 3.5 | 3.0 | 2.5 | 2.0 | 1.5 | 1.0 | 0.5 | 0.0 |
| 2.5 | 8.8 | 8.1 | 7.5 | 6.9 | 6.3 | 5.6 | 5.0 | 4.4 | 3.8 | 3.1 | 2.5 | 1.9 | 1.3 | 0.6 | 0.0 |
| 3 | 10.5 | 9.8 | 9.0 | 8.3 | 7.5 | 6.8 | 6.0 | 5.3 | 4.5 | 3.8 | 3.0 | 2.3 | 1.5 | 0.8 | 0.0 |
| 3.5 | 12.3 | 11.4 | 10.5 | 9.6 | 8.8 | 7.9 | 7.0 | 6.1 | 5.3 | 4.4 | 3.5 | 2.6 | 1.8 | 0.9 | 0.0 |
| 4 | 14.0 | 13.0 | 12.0 | 11.0 | 10.0 | 9.0 | 8.0 | 7.0 | 6.0 | 5.0 | 4.0 | 3.0 | 2.0 | 1.0 | 0.0 |
| 4.5 | 15.8 | 14.6 | 13.5 | 12.4 | 11.3 | 10.1 | 9.0 | 7.9 | 6.8 | 5.6 | 4.5 | 3.4 | 2.3 | 1.1 | 0.0 |
| 5 | 17.5 | 16.3 | 15.0 | 13.8 | 12.5 | 11.3 | 10.0 | 8.8 | 7.5 | 6.3 | 5.0 | 3.8 | 2.5 | 1.3 | 0.0 |
| 5.5 | 19.3 | 17.9 | 16.5 | 15.1 | 13.8 | 12.4 | 11.0 | 9.6 | 8.3 | 6.9 | 5.5 | 4.1 | 2.8 | 1.4 | 0.0 |
| 6 | 21.0 | 19.5 | 18.0 | 16.5 | 15.0 | 13.5 | 12.0 | 10.5 | 9.0 | 7.5 | 6.0 | 4.5 | 3.0 | 1.5 | 0.0 |

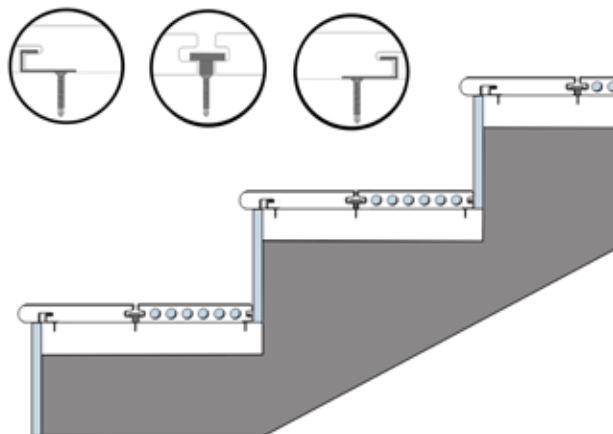
Note: Because materials have thermal linear expansion coefficient:

1. If any Honorwood product is fixed by screw, it must be pre-drilled before the screw is fixed.
2. The two sides of a fastener can only fix one floor board, and not be fitted to more than one board.

STAIR STEP INSTALLATION

The stair design meets the requirements of architectural stair design specifications. It must comply with local laws and regulations and all requirements of relevant building rules and regulations.

Note: The maximum height of the stair treads is about 15 mm. The length of the tread plate should not exceed 2.2 m. If the center of the tread plate is not the same as the center of the joist of the other plates, the center distance of the smaller joist must be taken as the standard.



Step Installation Schematic Diagram

INSTALLATION OF INITIAL FASTENER

- 1 The joists are arranged and installed according to the joist spacing table or construction drawings.
- 2 After locating the fastener, pre-drill the hole and install the first fastener (HLP M-037) as shown in Figure 1:
- 3 Install tread sideboards as shown in Figures 2-1 and 2-2:

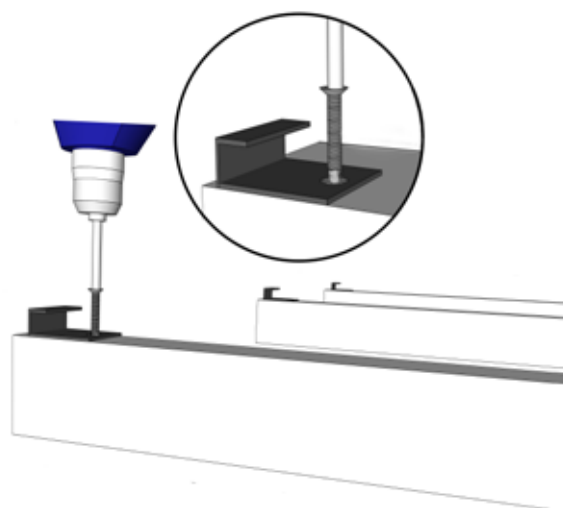


Figure 1

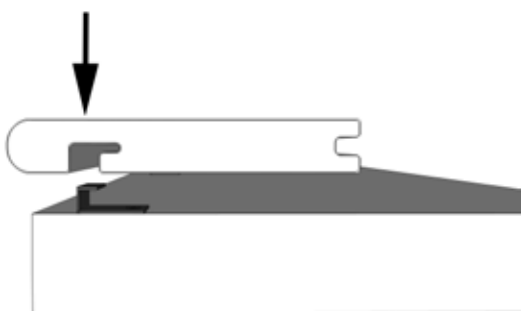


Figure 2-1

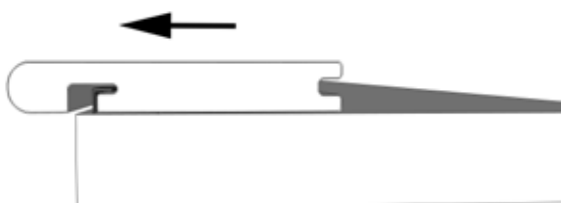


Figure 2-2

- 4 Install tread inner board fastener as shown in Figure 3:

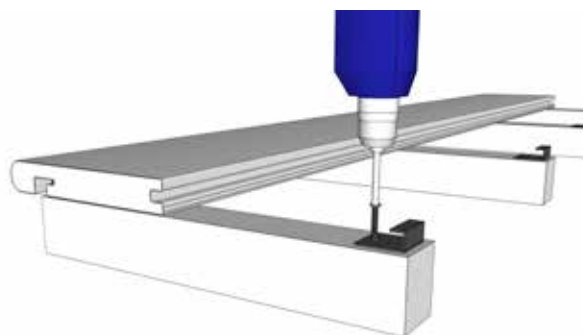


Figure 3

Note: The position is determined by arranging the size according to the width of the boards (a gap between the two boards is reserved).

- 5 Install the inner tread board as shown in Figure 4:

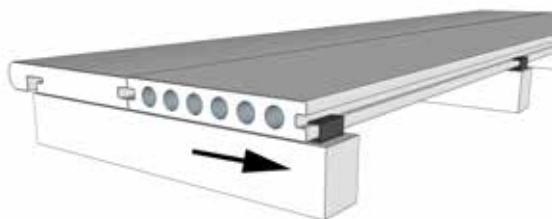


Figure 4

- 6 Install the fastener between the two boards of the step as shown in Figures 5-1 and 5-2:

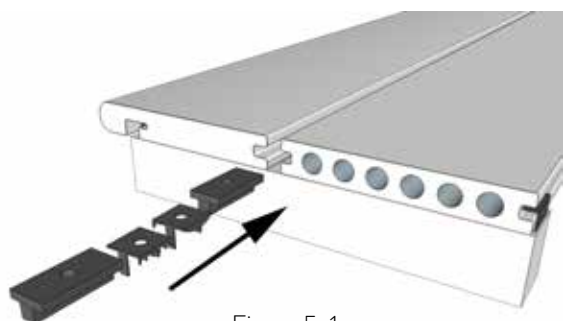


Figure 5-1

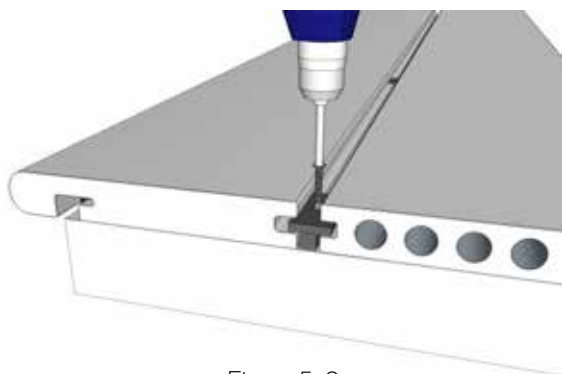


Figure 5-2

Note: Two fixed fasteners are used to fix the tread side plate and the inner plate respectively (if the tread length is short, it is recommended to use two joists in the middle of the tread length or two fixed fasteners, of the joist width, can be installed).

INSTALL INITIAL FASTENER

- 1 The joists are arranged and installed according to the joist spacing table or construction drawings.
- 2 After locating the fastener, pre-drill the hole and install the first fastener (HLPM-037) as shown in Figure 1:

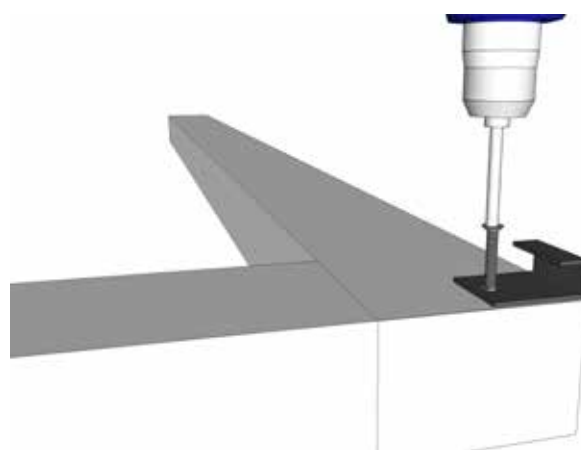


Figure 1

- 3 Install the first floor board as shown in Figure 2:

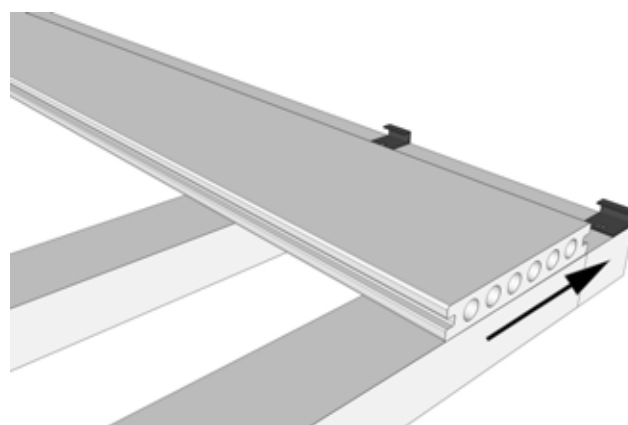


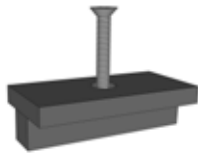
Figure 2

RECOMMENDATION 1

- 6mm Slot Fittings Series
- Accessories: Fixed fastener (HLPM-059) and movable fastener (HLPP-036).



(HLPM-059)



(HLPP-036-2)

- 1 Fixing fastener (HLPM-059) moving fastener (HLPP-036)
0.1 Fixed and movable fastener installation schematic, as shown in Figure 3:

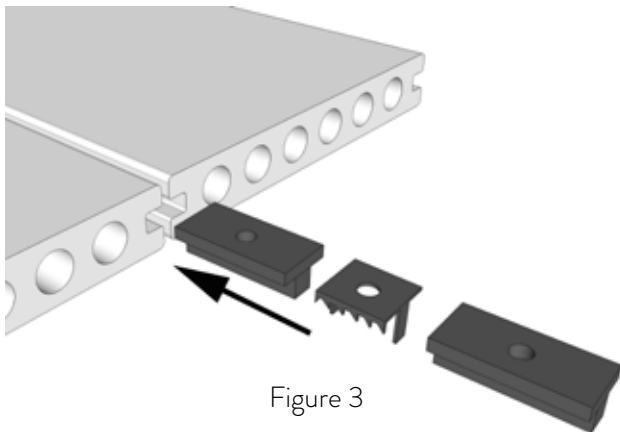


Figure 3

- 2 Fixed and movable fastener arrangement schematic, as shown in Figure 4:

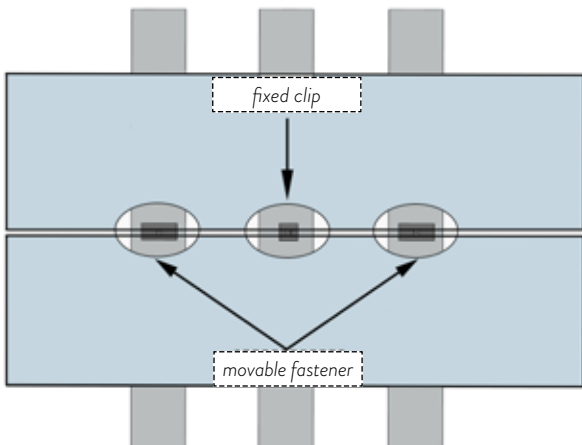


Figure 4

- 3 Install fixed and movable fasteners as shown in Figures 5 and 6:

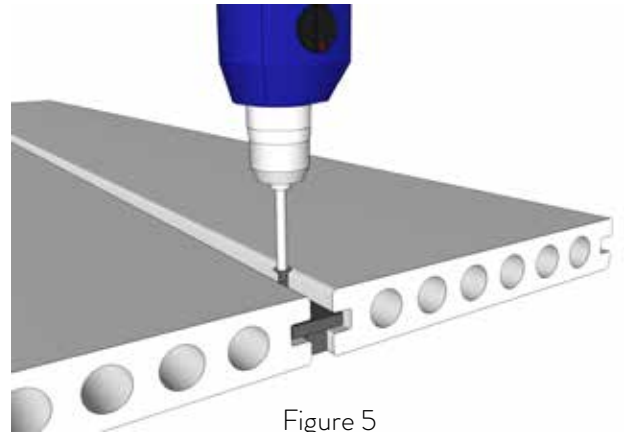


Figure 5

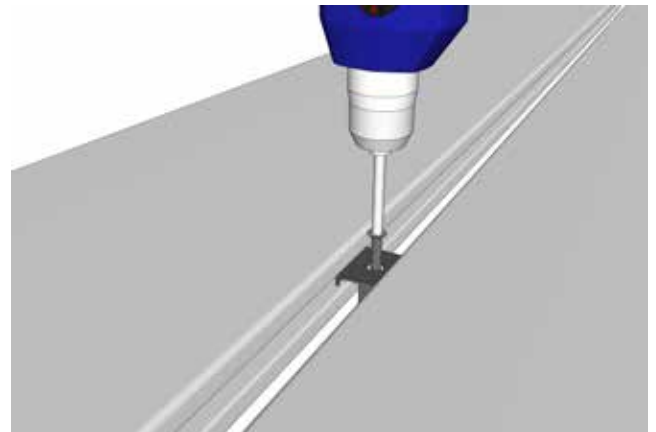


Figure 6

- 4 Repeat the above steps and continue to install until the last three boards.

- 5 Install the tailboard, as shown in Figure 7:

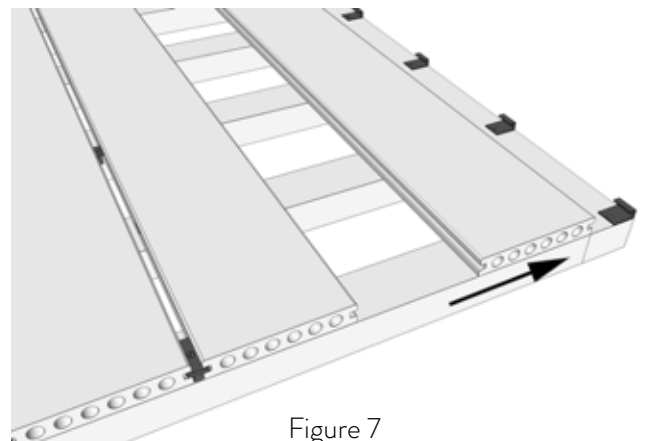


Figure 7

Note: To allow for the floor expansion and contraction and the gap control, please place the fixed fasteners in the middle of the floor, and the rest should be movable fasteners.

- 6 The 2nd and 3rd boards are arranged according to size. After cutting the 2 boards, the slots are arranged and installed according to the position of the fasteners. As shown in Figure 8:

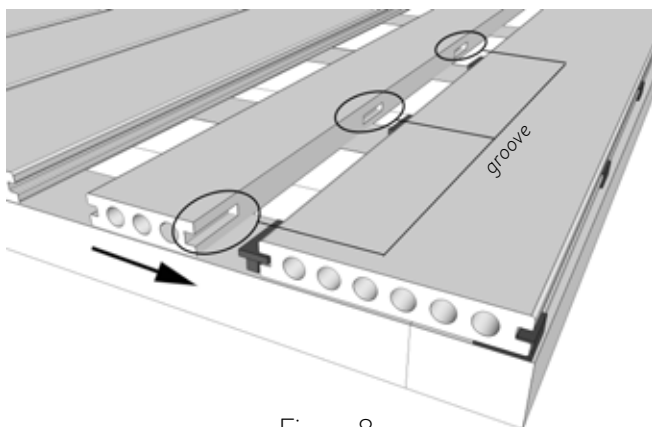


Figure 8

Note: It is suggested that the cutting and milling of the floor should be in accordance with the position of the fastener, so as to avoid cutting of the whole floor.

- 7 Install the penultimate (next to last) board, as shown in Figure 9:

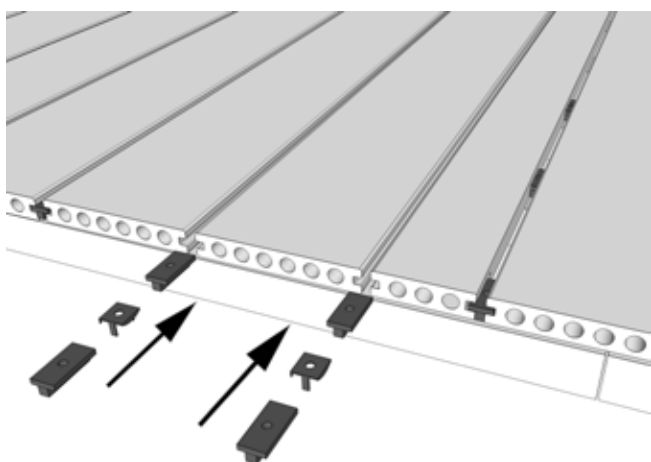


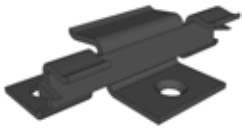
Figure 9

- 8 Fix the fittings according to Figures 5 and 6, and complete the installation of the floorboards as a whole.



RECOMMENDATION 2

- Gap of 3.5-4 mm Fittings Series
- Accessories: Fixed fastener (HLPM-075) and movable fastener (HLPM-039-2).



(HLPM-075)



(HLPM-039-2)

- 1 Fixed and movable fastener installation schematic, as shown in Figure 10:

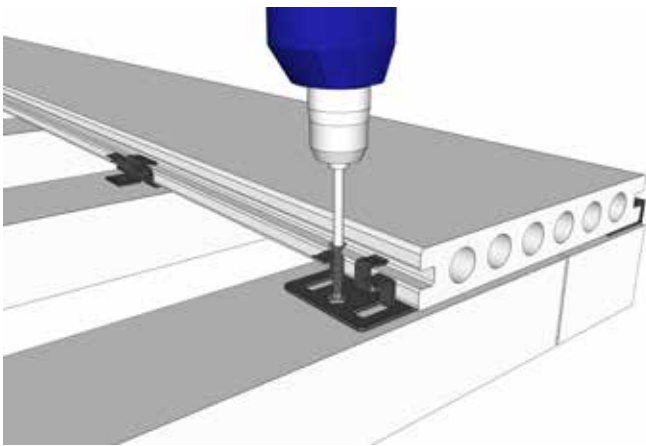


Figure 10

Note: Fix the screw after arranging the fasteners.

- 2 Fastener layout sketch. As shown in Figure 11:

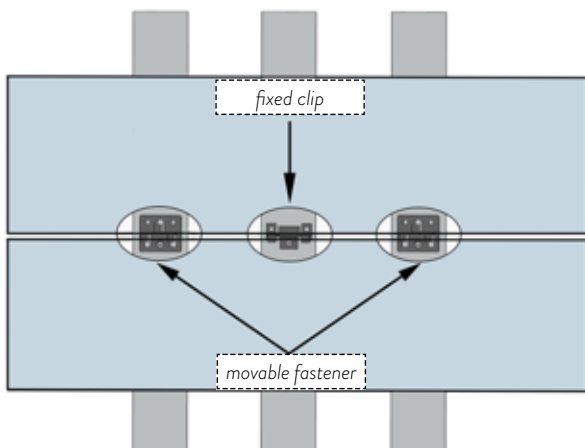


Figure 11

Note: To allow for floor expansion and contraction and the gap control, please place the fixed fasteners in the middle of the floor, and the rest should be movable fasteners.

- 3 Layout the second board, as shown in Figure 12:

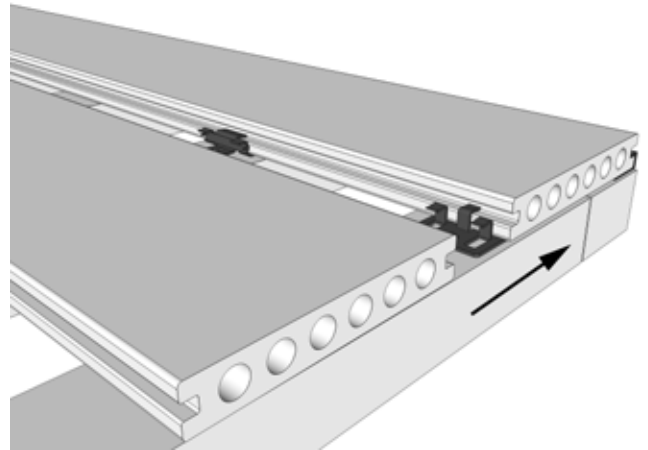


Figure 12

- 4 Use a rubber wood hammer to push the fixed fastener into the floor as shown in Figure 13:

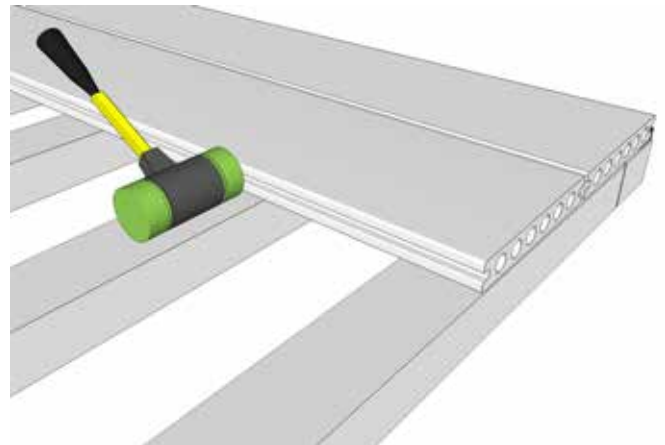


Figure 13

- 5 Repeat steps 2 and 3 to complete the floor installation.

EDGE PLATE MOUNTING

- 1 Install the floor edge board as shown in Figure 14:

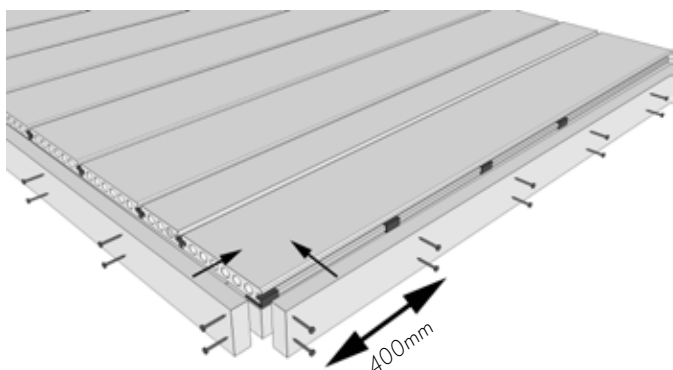


Figure 14

Note: The recommended length of the edge board installation should not exceed 2 meters. When any plastic-wood products need to be nailed, the pre-drilled hole should be slightly larger than the diameter of the screw hole so as to relieve any warping or cracking caused by stress on the plastic-wood products at the screw position, which is caused by heat expansion or cold contraction.

- 2 The edge board should be fixed on the joist to avoid direct fixing on the floor.



END CAP FITTING INSTALLATION

- 1 Place the fittings in the round holes of the floor, as shown in Figure 15:

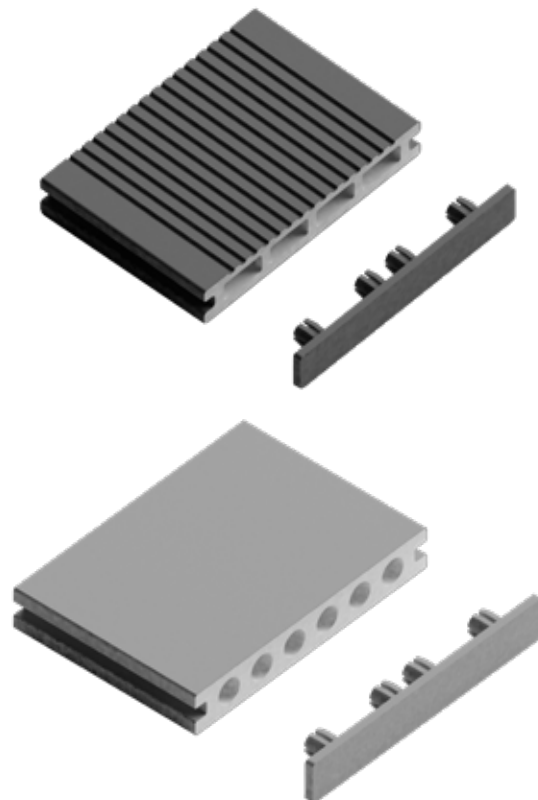


Figure 15

Note: This accessory is only suitable for matching with our HLHC-003B (142 * 22) and HLHC-017B (142 * 22) decking.

- 2 The diagram of end cover after installation is shown in Figure 16:

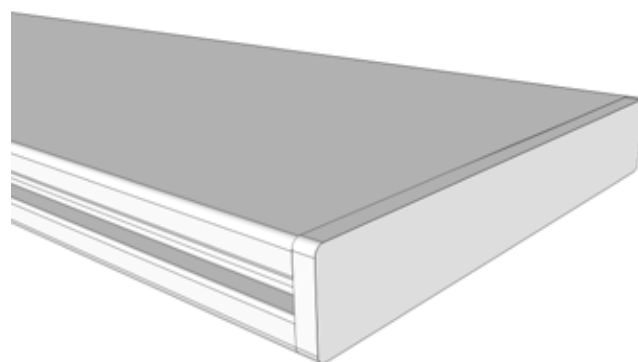


Figure 16





HONORWOOD

www.honorwooddecking.com.au

